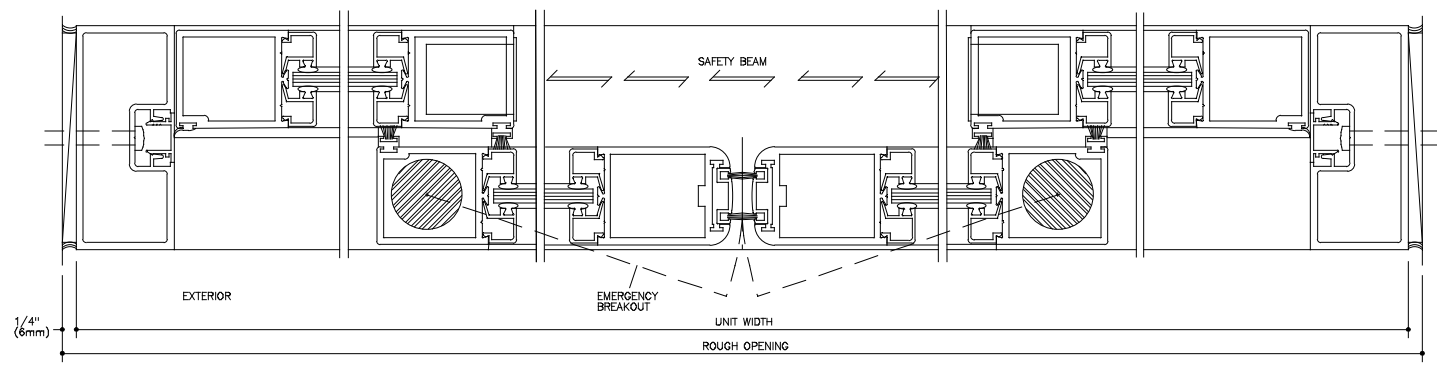
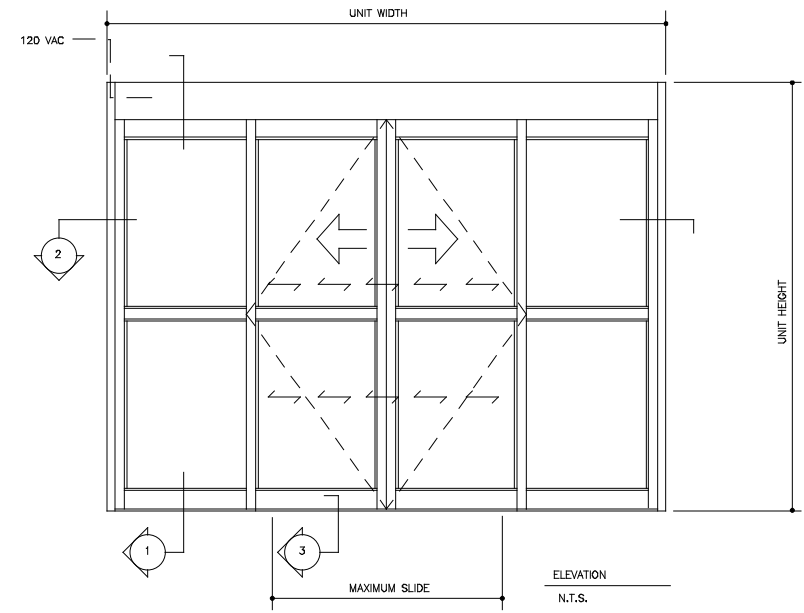


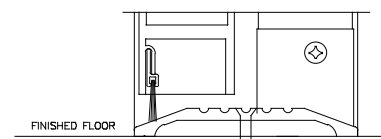
VERTICAL SECTION
FULL SCALE
DOOR SHOWN IN OPEN POSITION



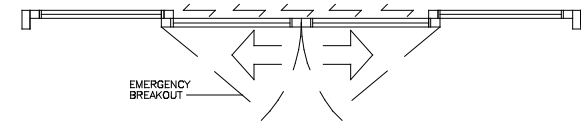
HORIZONTAL SECTION
FULL SCALE



ELEVATION
N.T.S.



THRESHOLD SECTION
FULL SCALE
DOOR SHOWN IN CLOSED POSITION



FLOOR PLAN
N.T.S.

File 2050d1
Horton Series 2001
Type 110 O-SX-SX-0